

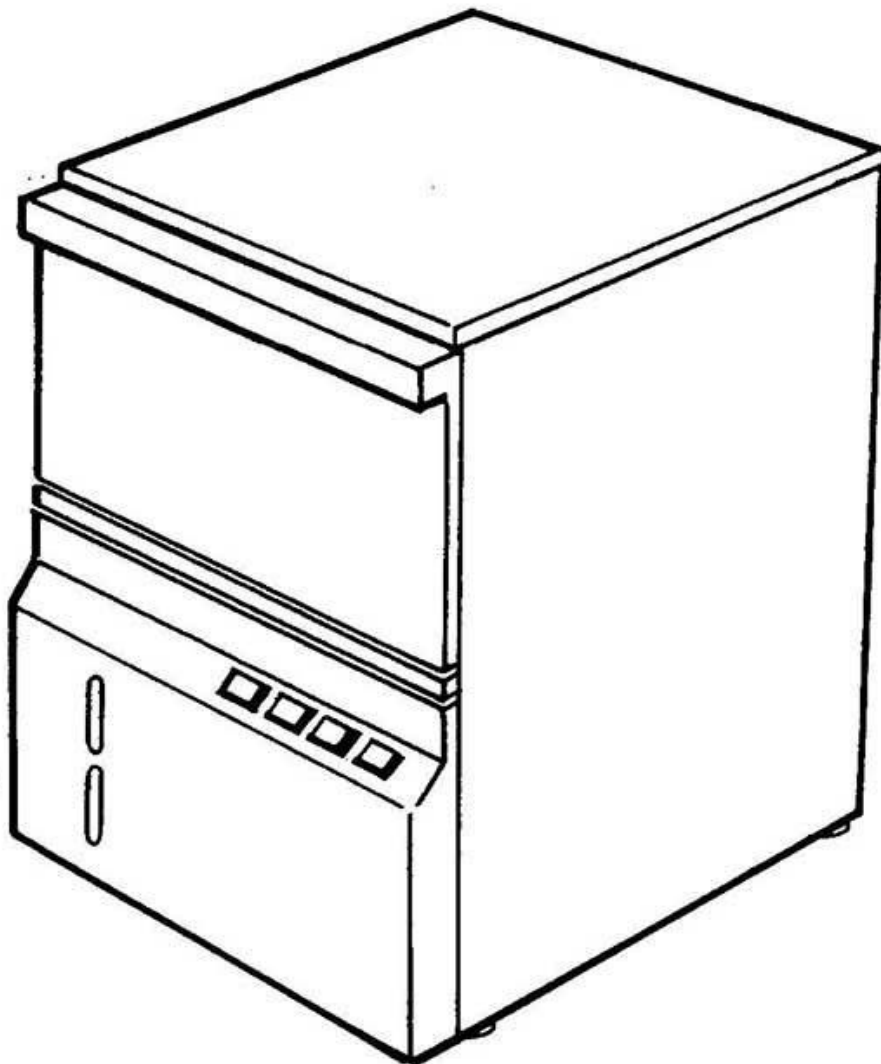
winterhalter

Spare Parts List

GS 27 B

Revised 10/04

Part no. 89001370



Summary

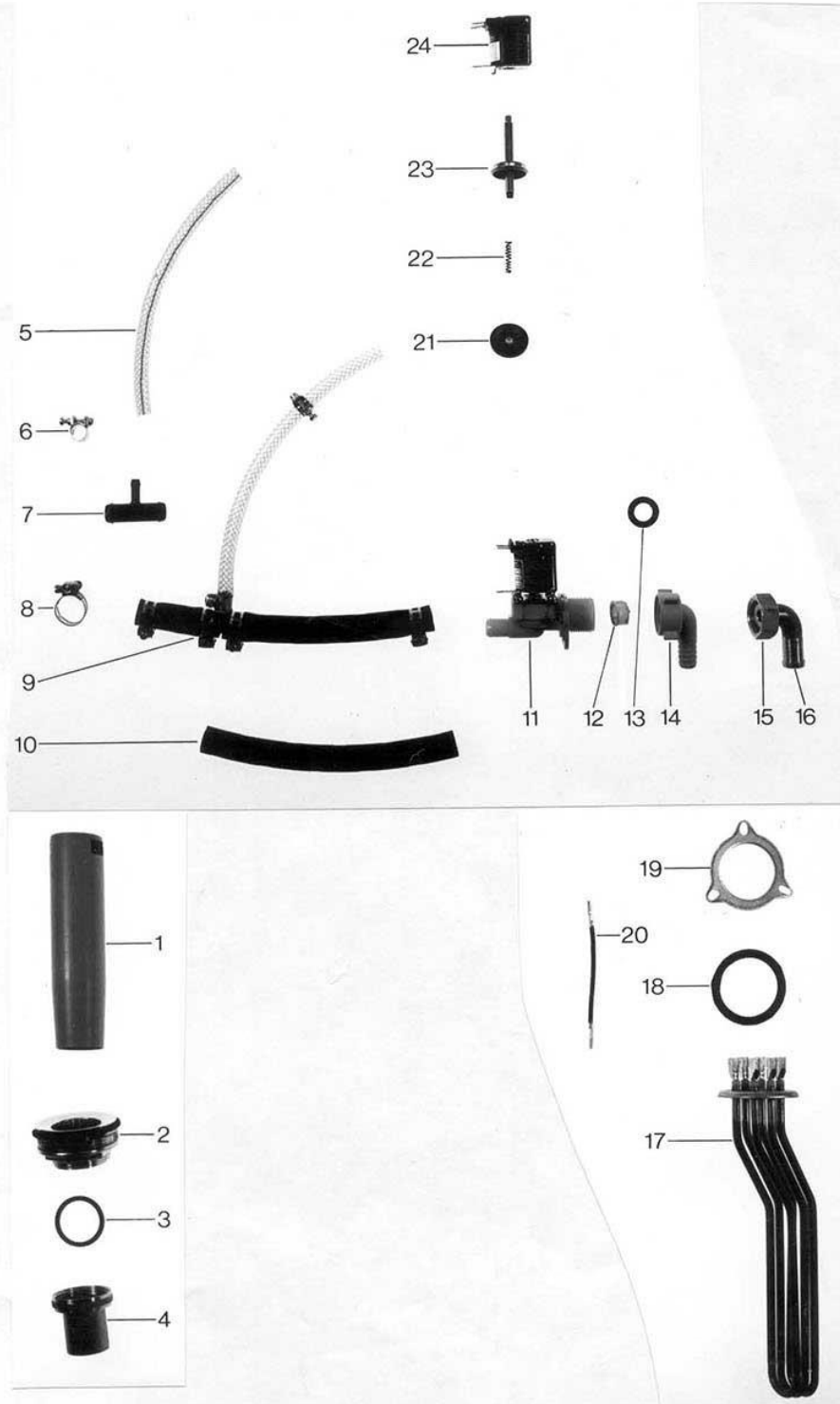
Water supply, water drain and tank heating	Page 1 and 2
Wash system	Page 3 and 4
Boiler and rinsing	Page 5 and 6
Door, frame, cover and panel	Page 7 and 8
Electrical parts	Page 9 and 10

Racks and accessories see separate list.

Parts that have the note " Part made to order only!" are not in stock. This parts are made specially for your order and have a delivery time. They are not returnable.

GS 27 B

Wasserzulauf, Wasserablauf und Tankheizung
Water inlet, drain, tank heating
Alimentation d'eau, écoulement, chauffage cuve

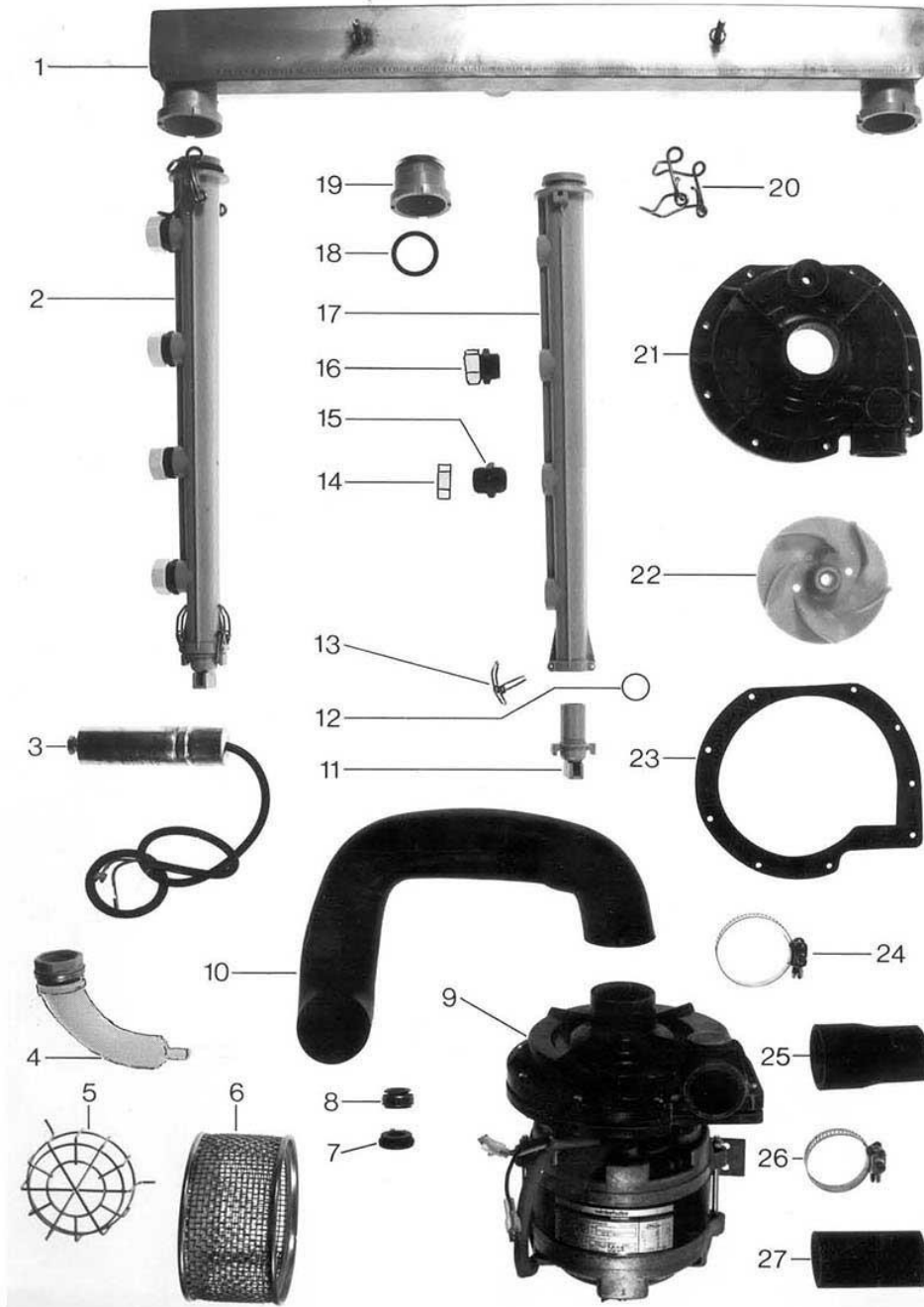


GS 27 B
Water supply, water drain and tank heating

Pos.	Designation	Part no.	Notes
1	Stand pipe overflow hight 130	62002648	
2	Stand pipe bottom part	29 04 202	
3	Seal \varnothing 39 x \varnothing 32 x 2,0	27 02 001	
4	Soldered screwing	29 04 255	
5	Hose \varnothing 5 x 3 x 240	40 01 024	spare parts for boiler inlet
6	Hose clip S 12/9	28 02 348	
7	T-piece	35 01 086	
8	Hose clip 14-24	28 02 108	
9	Boiler inlet cpl.	55 09 038	
10	Industrial hose \varnothing 13,5 x 3,5 x 200	40 02 029	for boiler inlet
11	Solenoid valve	31 06 180	
12	Dirt filter	31 06 074	
13	Seal \varnothing 19,5 x \varnothing 24 x 1,5	27 09 010	
14	Angle connection 3/4" BSP	60 002474	for hose 1/2" BSP \varnothing 13 int. solenoid valve
15	Coupling nut 3/4" BSP	29 07 203	
16	Connection elbow	29 06 227	f. copper pipe \varnothing 12 for solenoid valve
17	Heating element 3,0 kW 220/380 V	31 03 027	with O-ring, cranked
n.p.	Heating element 3,0 kW 240/420 V	31 03 029	
18	O-ring \varnothing 6 x 46	27 07 069	
19	Clamping plate	01 17 003	
20	Link wire	31 23 088	
21	Diaphragm		no more available replaced by pos. 11 31 06 180
22	Spring		
23	Bush with plunger		
24	Coil		

GS 27 B

Waschsystem Wash system Système de lavage

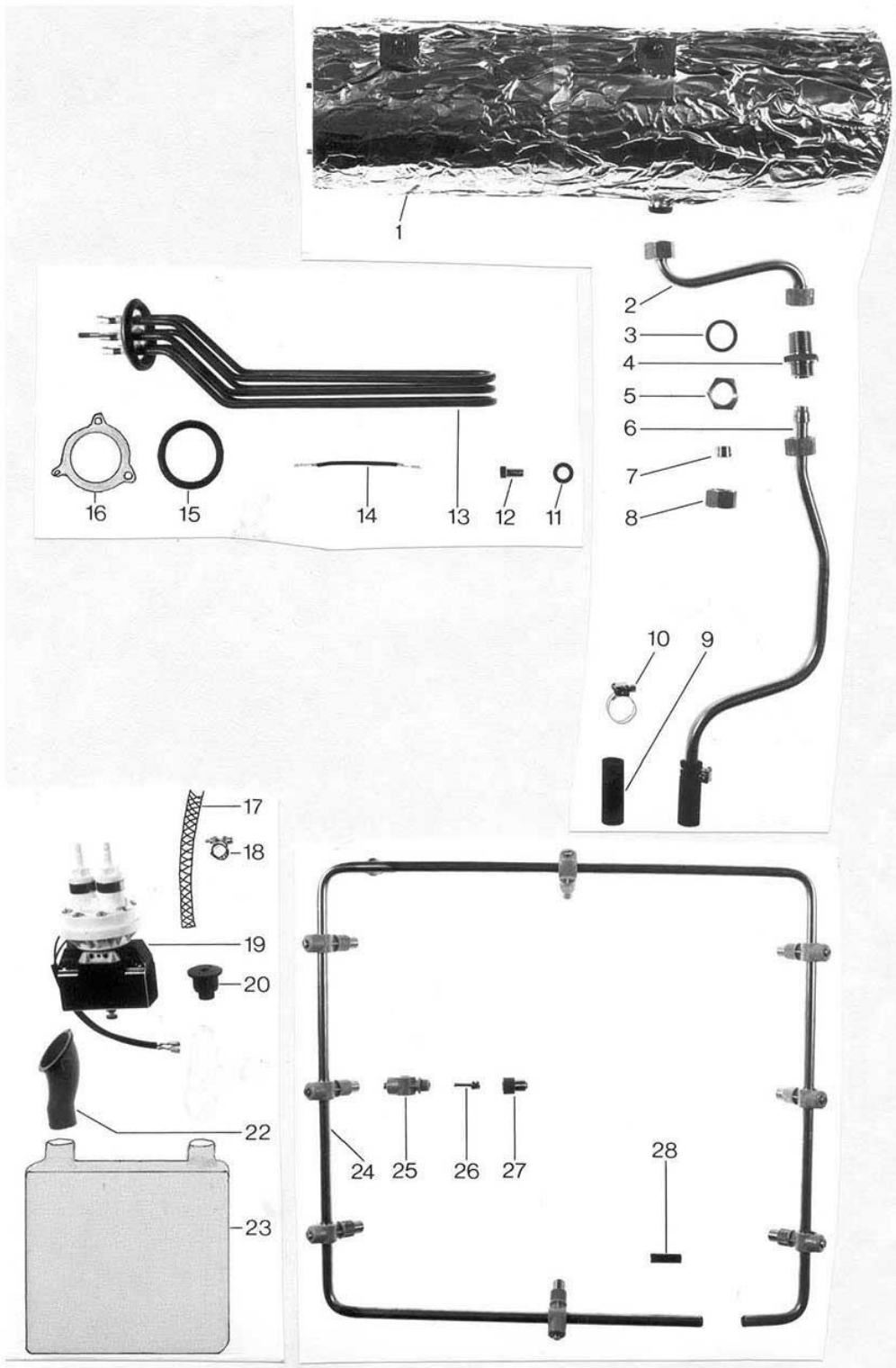


GS 27 B
Wash system

Pos.	Designation	Part no.	Notes
1	Distributor	55 06 032	
2	Wash arm cpl.	55 07 012	with end piece, jet, cap, spring locking and O-ring
3	Capacitor 12,5 µF	31 13 028	
4	Air chamber cpl.	55 04 024	
5	Suction basket	55 13 113	
6	Pump filter	55 13 003	
7	Seating ring	80 002673	consist. of pos. 7, 8, 23
8	Motor shaft seal	80 002673	consist. of pos. 7, 8, 23
9	Synthetic pump 0,55 kW 220 V	31 02 276	No exchange pumps. Pumps without guarantee are not taken back.
n.p.	Synthetic pump 0,55 kW 240 V	31 02 276	
10	Rubber elbow	40 03 021	
11	End piece	35 01 089	
12	O-ring ø 18 x 1,5	27 07 039	for end piece
13	Spring lock	28 04 041	for wash arm end piece
14	Jet cap	29 10 525	
15	Wash jet	29 10 529	
16	Wash jet cpl. black/white	29 10 538	
17	Wash arm	35 01 007	only compl. available pos. 2
18	O-ring ø 27 x 4	27 07 016	
19	Coupling nut with supporting ring	35 01 006	for wash arm
20	Spring lock	28 04 040	for wash arm coupling
21	Pump housing	31 02 200	
22	Impeller	31 02 201	
23	Seal	31 02 203	
24	Hose clip 32-52	28 02 110	1 x pump-pump hose
25	Hose II ø 40 x ø 32 x 75 lg.	40 03 024	reduct. from pump to hose
26	Hose clip 24-44	28 02 309	2 x distrib., 2 x suction elbow, 1 x pump-hose
27	Hose I ø 32 x 75 lg.	40 03 024	straight, from pipe to distributor as necessary cut to length

GS 27 B

Boiler und Nachspülung – Boiler and rinsing – Surchauffeur et rinçage I

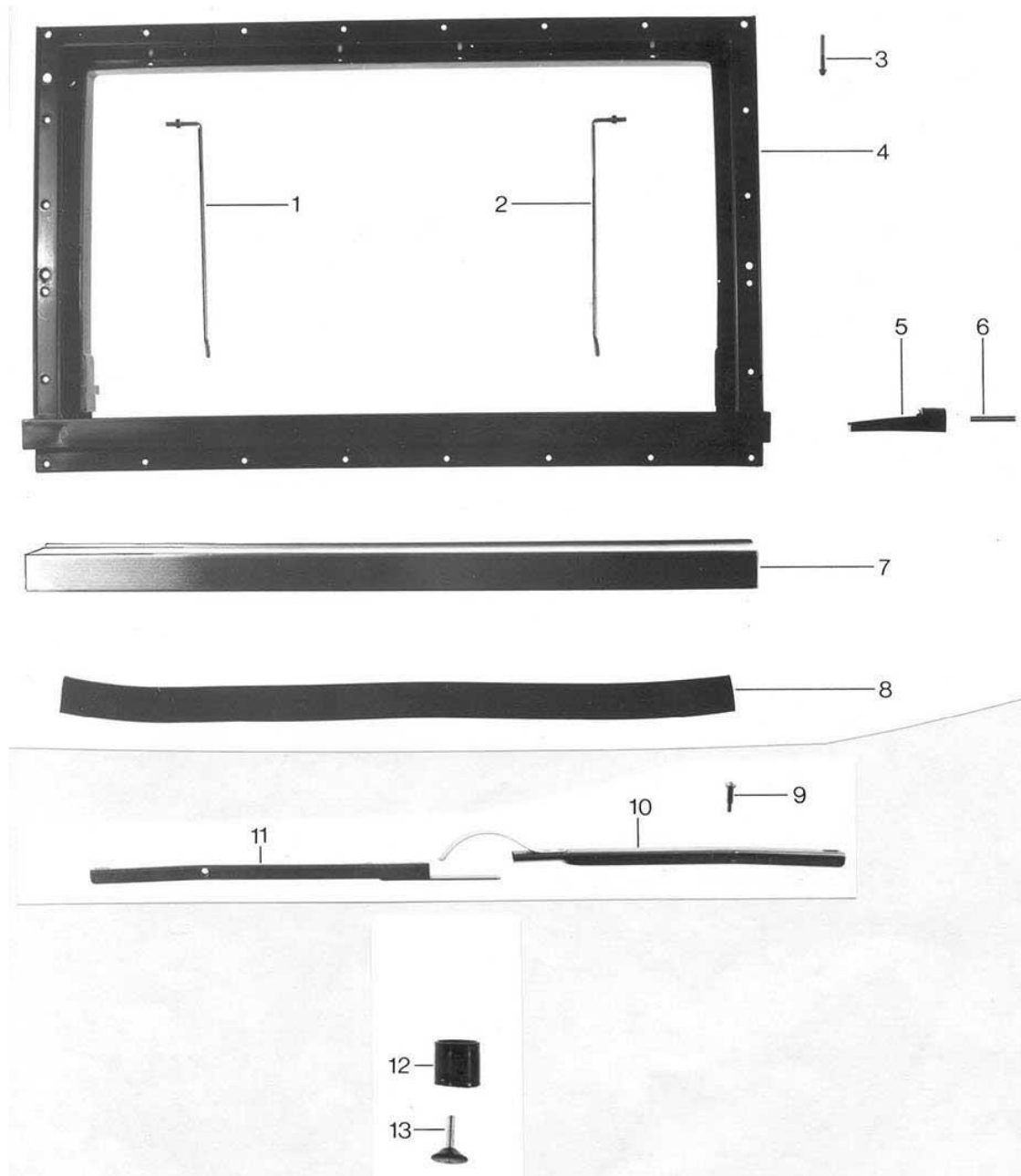


GS 27 B
Boiler and rinsing

Pos.	Designation	Part no.	Notes
1	Boiler 6 kW	55 12 005	
2	Rinse connection short	55 10 089	with coupling nut and olive
3	Seal \varnothing 28 x \varnothing 21 x 2	27 09 011	
4	Double nipple 1/2" BSP x 38	30 11 301	
5	Locking nut 1/2" BSP	30 09 201	
6	Rising pipe cpl.	55 10 085	with coupling nut, olive, hose and clip
7	Olive \varnothing 15 x 9	29 07 300	
8	Coupling nut 1/2" BSP x \varnothing 12,2	29 07 301	for rising pipe
9	Hose \varnothing 12 x 3 x 50 lg.	40 02 029	
10	Hose clip 14-24	28 02 301	
11	Seal \varnothing 18 x \varnothing 10 x 1,5	27 03 003	
12	Locking screw M 10 x 16	20 01 352	
13	Heating element 6 kW 220/380 V	31 03 017	
n.p.	Heating element 6 kW 240/420 V	31 03 043	
14	Link wire	31 23 088	
15	O-ring \varnothing 6 x 46	27 07 069	
16	Clamping plate	01 17 003	
17	Fabric hose	40 01 024	per meter
18	Wire hose clip \varnothing 12	28 02 348	
19	Dispenser ELT 20	55 28 278	
20	Sizing bush	40 06 011	
22	Filling funnel blue	40 07 026	
23	Rinse aid container	35 02 020	
24	Top rinse pipe cpl.	55 10 088	
25	Hinged piece	55 10 008	with screw and nut
26	Jet swirl	65002755	
27	Jet cap	65002754	
28	Grub-screw M 9 x 25	20 10 101	to short to 25 mm

GS 27 B

Türe, Rahmen, Abdeckung und Verkleidung
Door, frame, cover and panel
Porte, cadre, cache et habillage



GS 27 B

Elektroteile Electrical parts Matériel électrique

